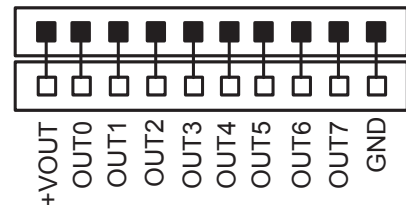
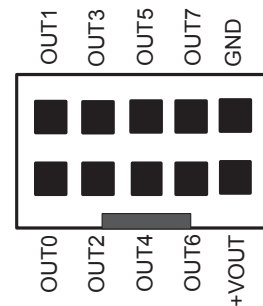
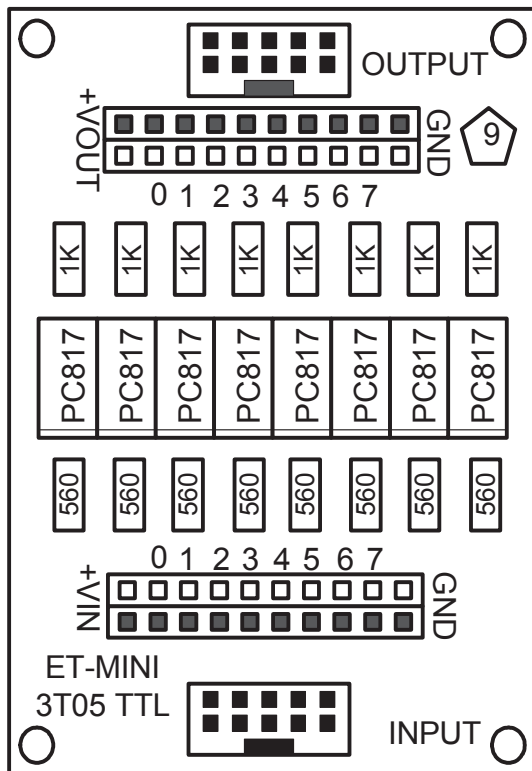


ET-MINI 3T05 TTL

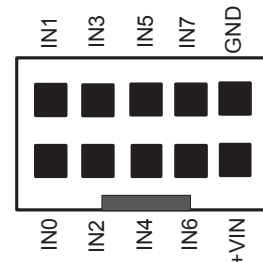
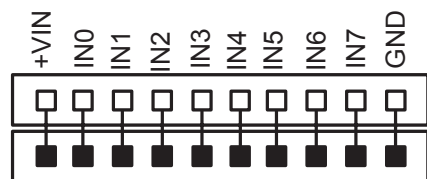
Module ET-MINI 3T05 TTL which is OPTO to transform level of Logic from 3V into 5V or from 5 V into 3V has 8 channels. It uses with MCU that uses 3.3V power supply to drive or load with 5V power supply. All 8 channels of this Module can use as 2 types; only Input or only Output but can not use as both Input/Output in the same time. Its proceedings are ;

1). It is external INPUT for receiving signal Logic 5V into MCU that can receive Logic 3.3V, interface 5V power supply with +VIN Connector and Ground with GND of Module respectively and then interface Input [0..7] with connector for sending signal into MCU. In Output part of Module, interface 3.3V power supply with +VOUT Connector and Ground with GND of Module respectively and then interface Output [0...7] Connector with I/O Pin of MCU.

2). It is OUTPUT for sending signal Logic 3.3V from MCU to control external device that can receive Logic 5V, interface 3.3V power supply with +VIN Connector and Ground of MCU with GND of Module respectively and then interface Input [0..7] with I/O Pin of MCU. In Output part of Module, interface external 5V power supply with +VOUT Connector and external Ground with GND of Module respectively and then interface Output [0...7] Connector with controller device.

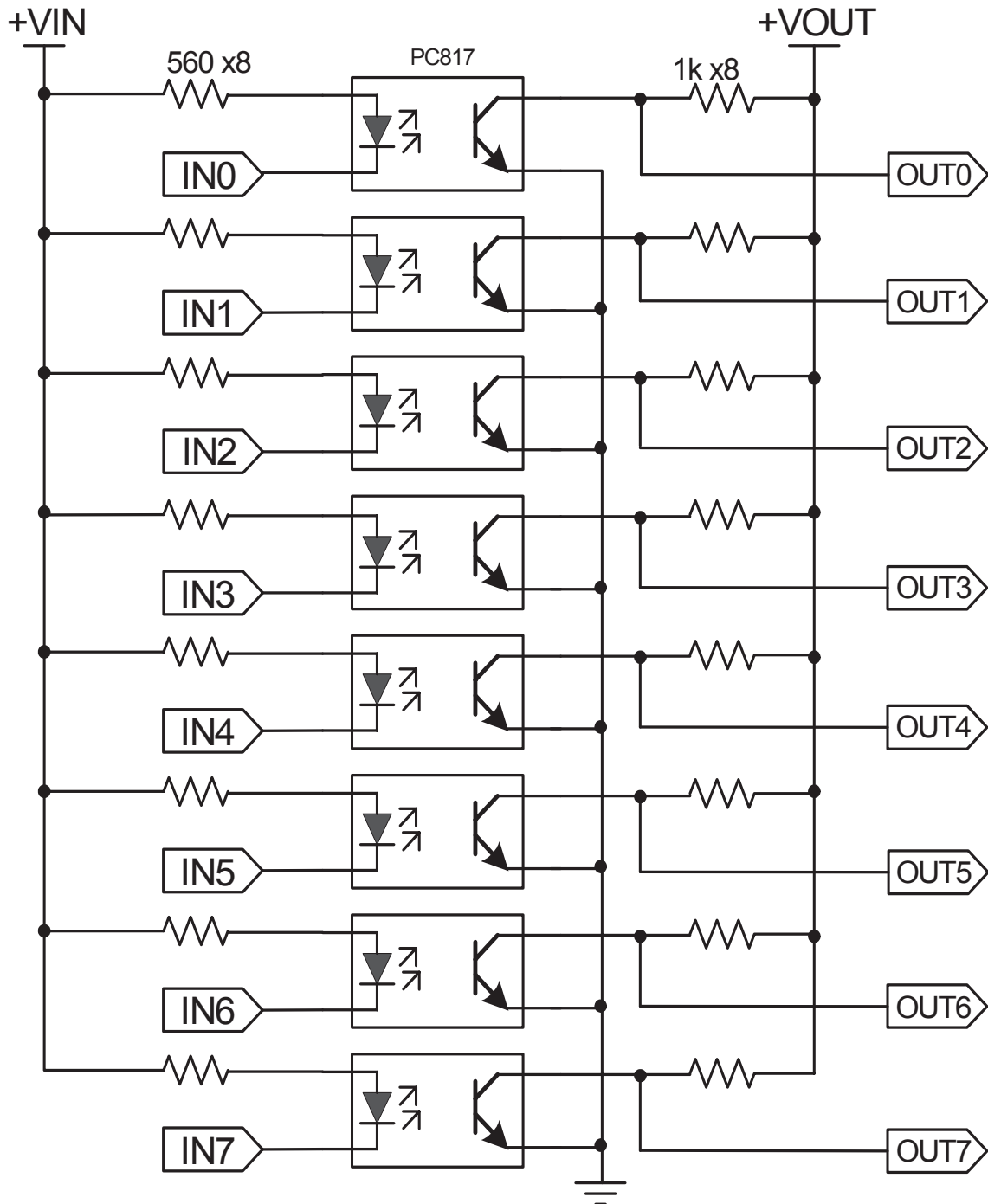


Connector in side of OUTPUT



Connector in size of INPUT

Picture displays structure of ET-MINI 3T05 TTL and Port PIN position .



Picture displays circuit of ET-MINI 3T05 TTL.