

ET-MINI DC-MOTOR

Module ET-MINI DC-MOTOR which is DC Motor 5V can control left and right rotate directions and can read rotate cycle by using Opto as Sensor. The feature of using connectors and sending Logic to control rotation are shown in the picture below. Function of IN1 connector and IN2 connector are directional controller and function of EN connector is Enable. It runs with Logic “1”. OPA and OPB Connector send Signal Logic “1” into MCU when fan blade of DC Motor touches Opto Sensor. If nothing touches Sensor of OPA and OPB connector, it will display as “0”. It is suitable for reading Motor’s rotate cycle and user can select to read default values of OPA connector or OPB connector.

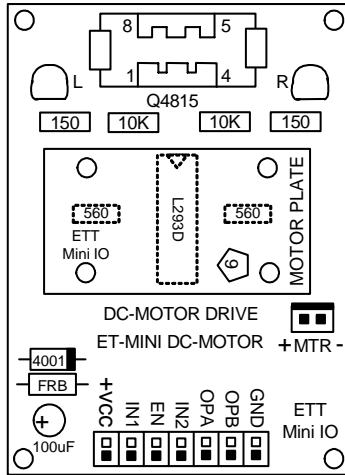
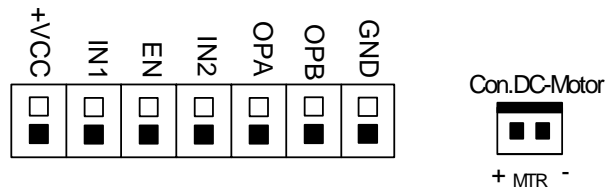
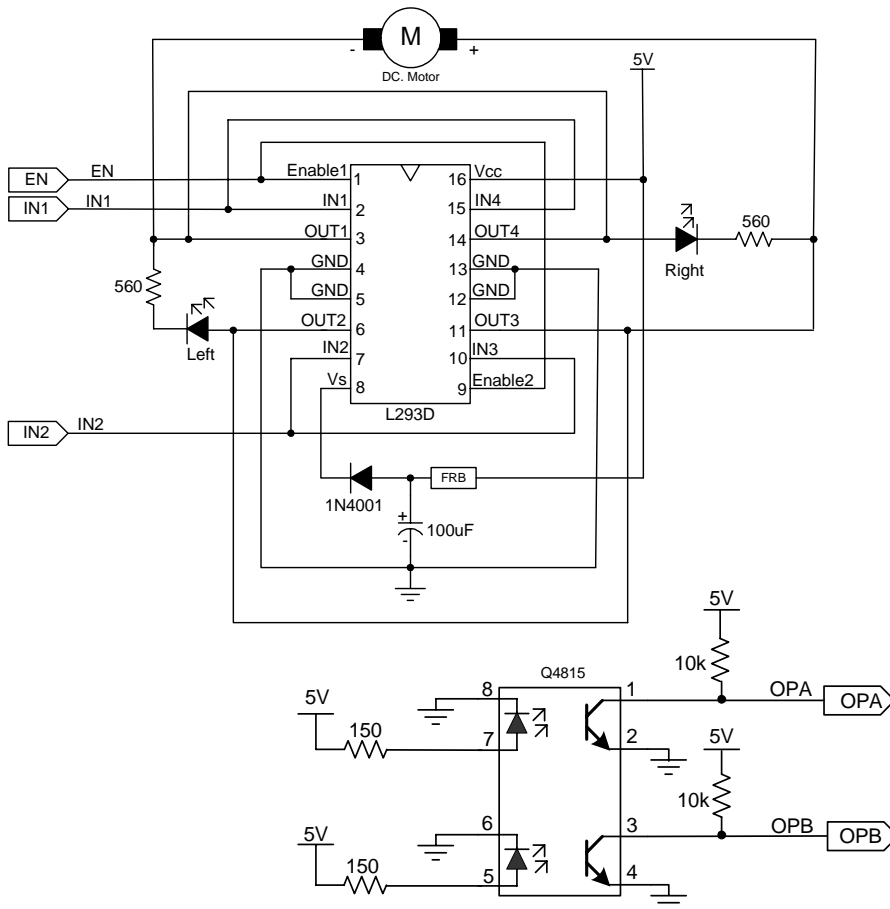


Table of Control DC-MOTOR

Control DC MOTOR								
RIGHT(R)			LEFT(L)			STOP		
EN	IN1	IN2	EN	IN1	IN2	EN	IN1	IN2
1	1	0	1	0	1	0	x	x



Picture displays structure of ET-MINI DC-MOTOR and Port Pin position.



Picture displays circuit of ET-MINI DC-MOTOR.